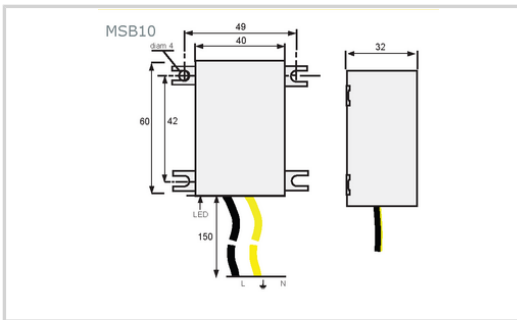


## MSB10-480-Ex



- MOV Technology
- UL121201 Listed-Hazardous Locations
- UL 1449 5th- Type 4CA
- I<sub>max</sub> 18kA
- I<sub>n</sub> 3kA
- LED Indicator
- IP67
- ANSI/IEEE C136.2 Extreme 20kV/10kA
- ANSI/IEEE C62.41 20kV/10kA
- 10-year warranty



Electrical Characteristics		
Protection mode(s)		Common/Differential mode
POWER SPD TYPE		UL1449 TYPE 4CA for Hazardous Locations
VOLTS	(V)	480
AC/DC/DC PV/RF		AC
PHASE	(PH)	1
AMPS	(A)	n/a
AMBIENT MIN	(C)	-35
AMBIENT MAX	(C)	+85
MODES		L-N, L-G, N-G
MLV	(V)	1760/1750/1730
MCOV	(V)	300/300/300
IN15 impulses 8/20µs	(kA)	3
SCCR	(kA)	n/a
IMAX8/20µs	(kA)	18
Mechanical Characteristics		
TECHNOLOGY		Thermal-MOV
NETWORK CONFIGURATION		1PH, 2W+G, Single Phase (or 2PH, 2W+G, Two Phase)
CONNECTION METHOD		18" #14 AWG LEADS
MOUNTING		FLANGE MOUNT
MATERIAL		Thermoplastic UL94-V0
NEMA RATING (IP RATING)		NEMA 6P (IP67)
FAIL-SAFE BEHAVIOR		Disconnection via fuse-link
REAL-TIME DIAGNOSTICS		LED Indicator
DIMENSIONS		See diagram (mm)
WEIGHT		0.30 lbs
SPARE PART		n/a
Standards		
Certification		UL listed
UL STANDARD		UL1449 5th Edition & UL121201
UL CATEGORY		VZCA2, VZCA8 & VZCH, VZCH7
UL FILE NUMBER		E326289, E527348
UL121201 HAZARDOUS LOCATION STANDARDS		Class I, Division 2, Groups A, B, C & D: Operating Temp. T4 NOM-003-SCFI-2014, NOM-001-SCFI-1993
ANSI/IEEE C62.41		Category C 20kV/10kA
ANSI/IEEE C136.2		Extreme Category 20kV/10kA
ENVIRONMENTAL STANDARDS		ROHS
Part number		
897021		